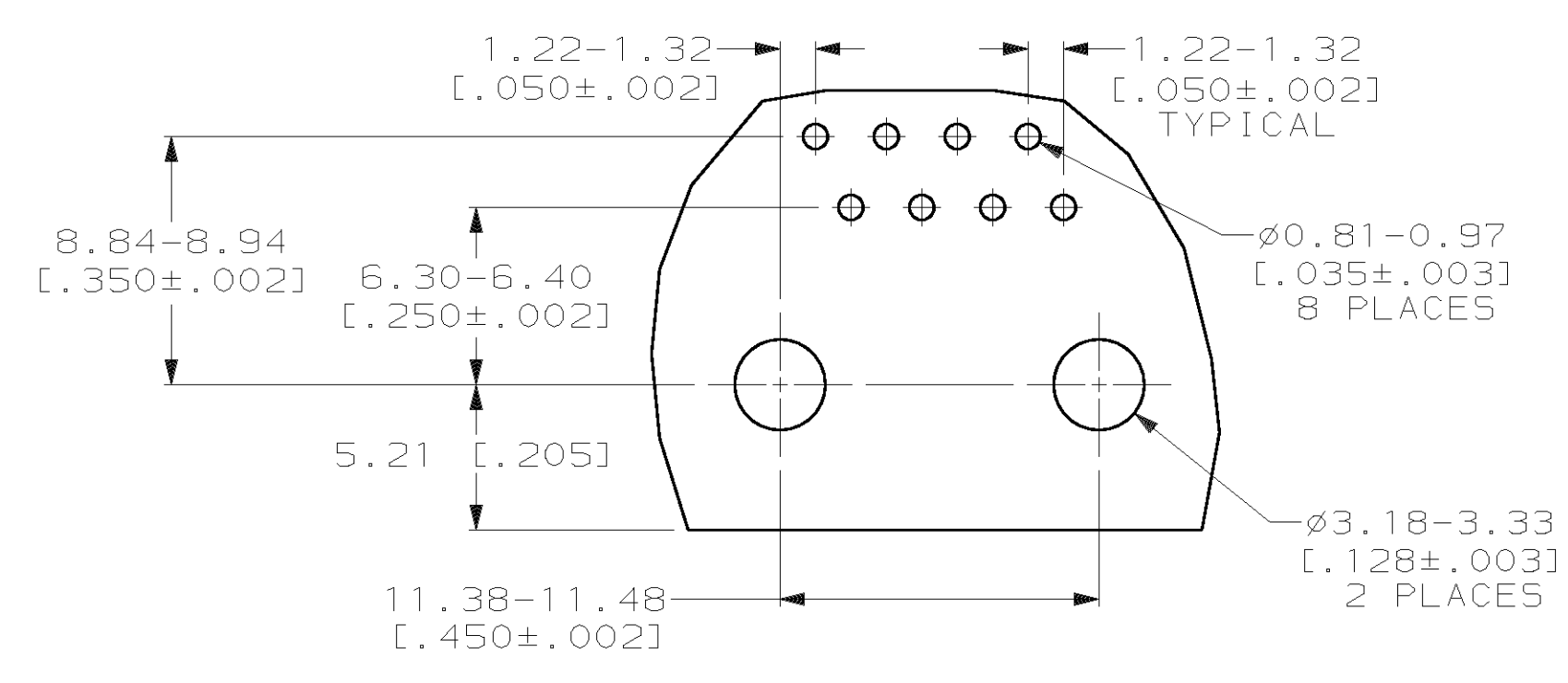
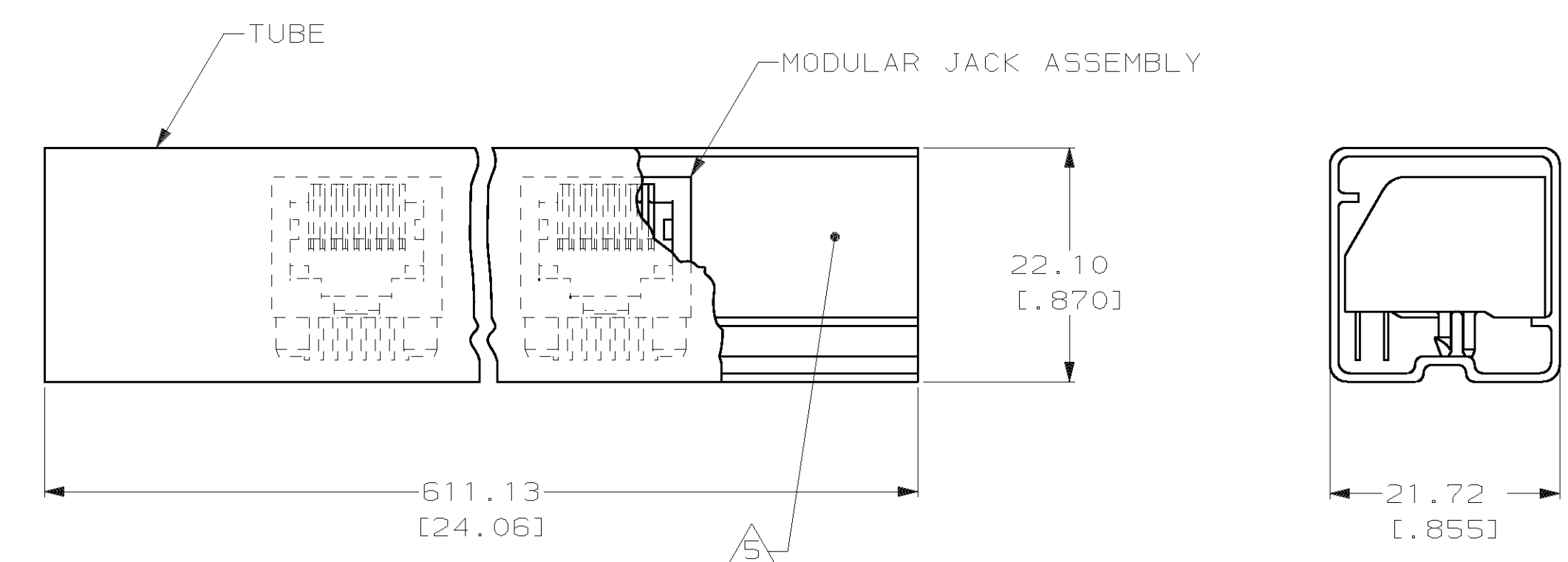
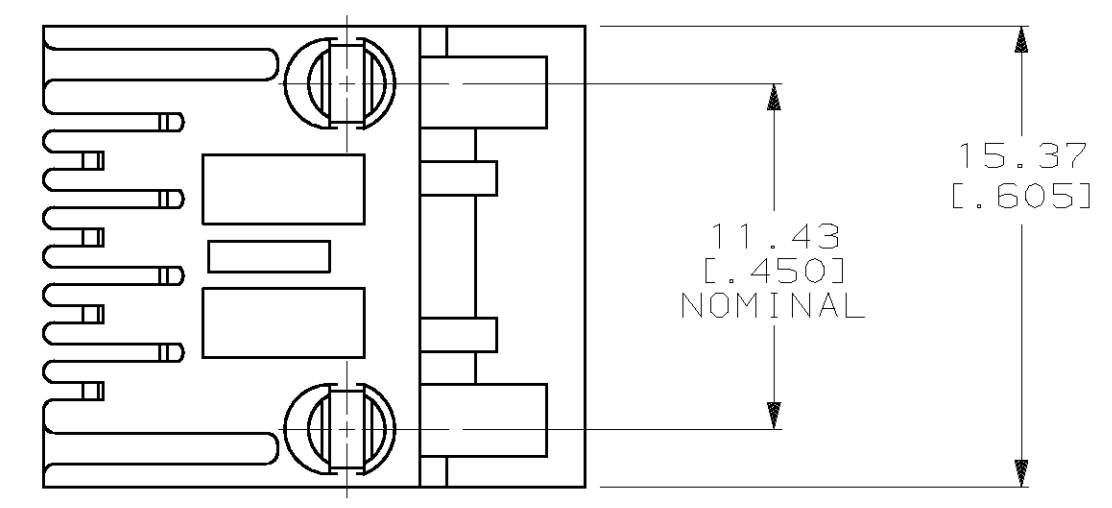
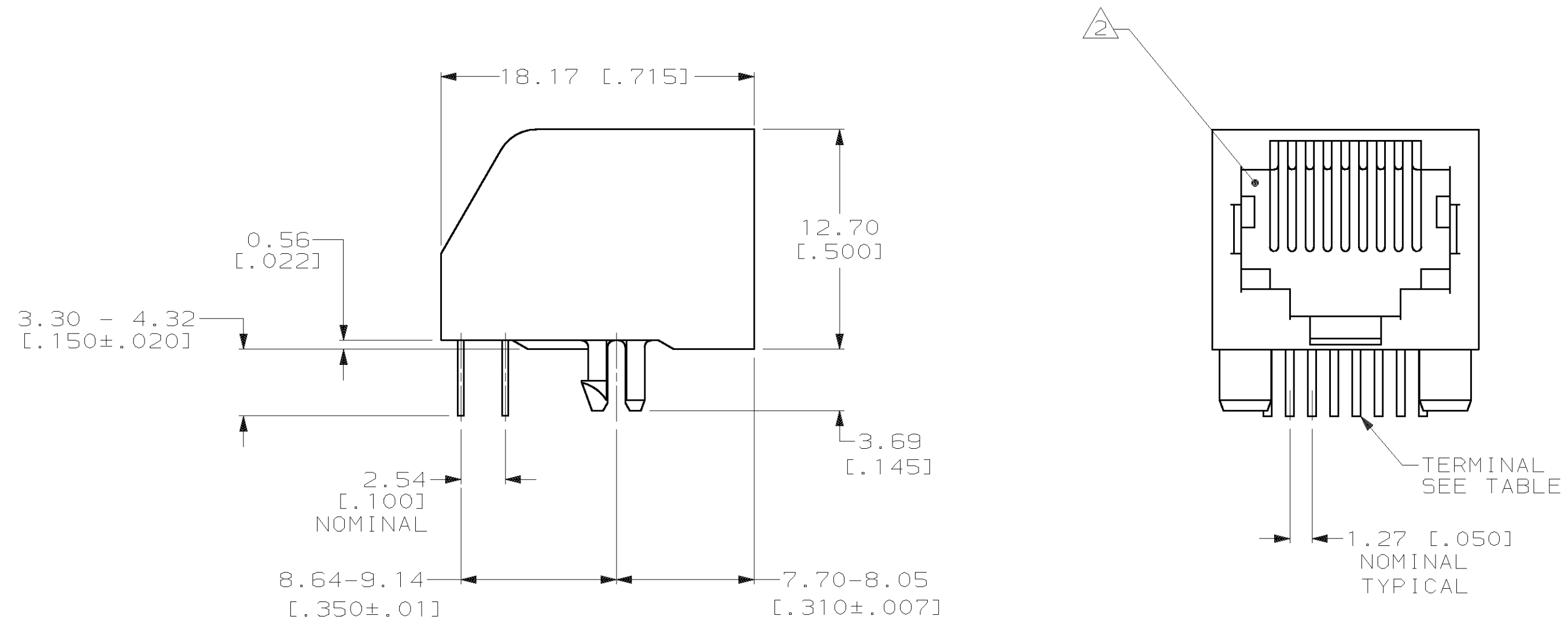


LOC	DIST	P	F	ZONE	LTR	DESCRIPTION	DATE	APPD
AA	22					H SUPERSEDED: -3; EC 0UF0-0013-01	14SEP01	DD

- ① MATERIAL:
 HOUSING - PBT POLYESTER, SEE TABLE.
 TERMINAL - 0.36 [.014] THICK PHOS
 BRONZE PLATED WITH 1.27µm [.000050]
 MINIMUM THICK HARD GOLD IN LOCALIZED
 GOLD PLATE AREA AND 2.03µm [.000080]
 MINIMUM THICK TIN LEAD IN SOLDER AREA
 OVER 1.27µm [.000050] THICK NICKEL
 UNDERPLATE.
- ② CAVITY CONFORMS TO FCC RULES AND
 REGULATIONS PART 68, SUBPART F.
- ③ DIMENSIONS ARE MAXIMUM UNLESS
 OTHERWISE SPECIFIED.
- ④ BULK PACKAGED IN A TRAY.
- ⑤ 37 ASSEMBLIES PACKAGED PER TUBE, SEE
 DETAIL B.



SUGGESTED PRINTED CIRCUIT BOARD
 MOUNTING HOLE LAYOUT
 LAYOUT SHOWN FROM CIRCUIT SIDE OF BOARD

PACKAGED	HOUSING COLOR	TERMINALS REQUIRED	PART NUMBER
⑤	BLACK	8	555164-4
④	GRAY	8	555164-3
④	BLACK	8	555164-1

SUPERSEDED BY 555164-1

DO NOT SCALE PRINT. UNLESS SPECIFIED DIMENSIONS IN mm [INCHES] TOLERANCES ON:	DR 11-9-95 D. STRAUSSER	AMP AMP Incorporated Harrisburg, PA 17105-3608
2 PLC DEC ± ③	CHK 11-14-95 N. JONES	
MATERIAL	APPD 11-20-95 J. TONEY	NAME MODULAR JACK ASSEMBLY, 8 POSITION, LOW PROFILE, RIGHT ANGLE, WITHOUT PANEL STOPS
FINISH	APPD 11-20-95 H. McGRATH	PRODUCT SPEC 108-1163
WEIGHT	APPLICATION SPEC 114-2048	SIZE D 00779
		CAGE CODE C-555164
		DRAWING NO C-555164
		SCALE 4:1
		SHEET 1 OF 1

THIS DRAWING IS A CONTROLLED DOCUMENT FOR AMP INCORPORATED. IT IS SUBJECT TO CHANGE AND THE CONTROLLING ENGINEERING ORGANIZATION SHOULD BE CONTACTED FOR THE LATEST REVISION.